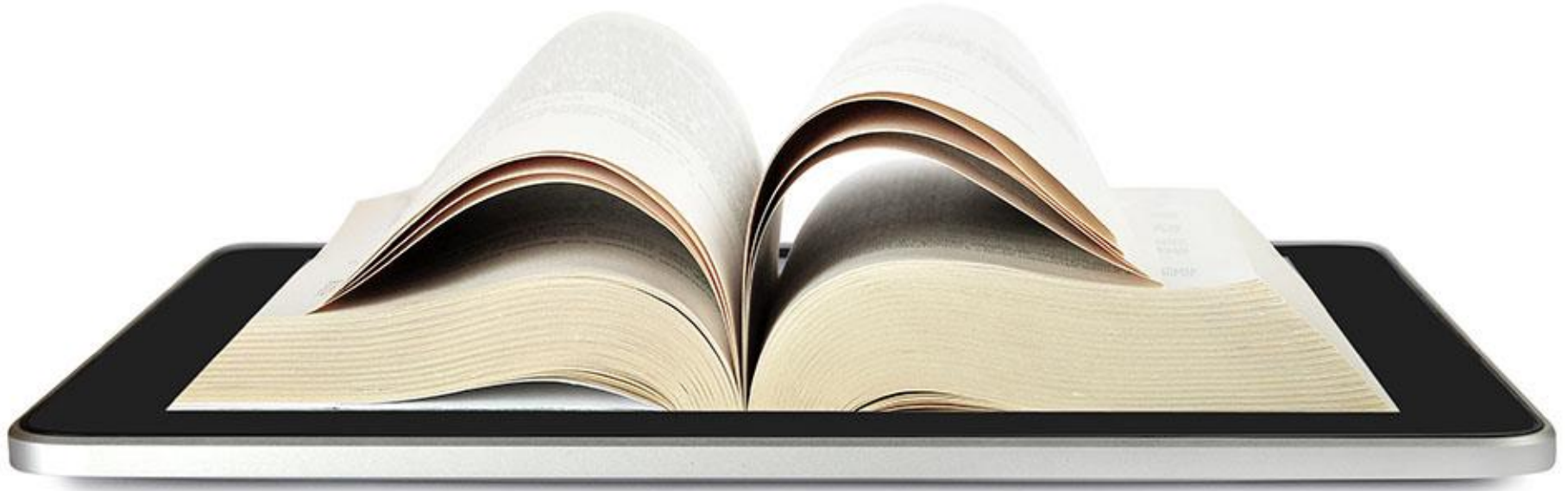
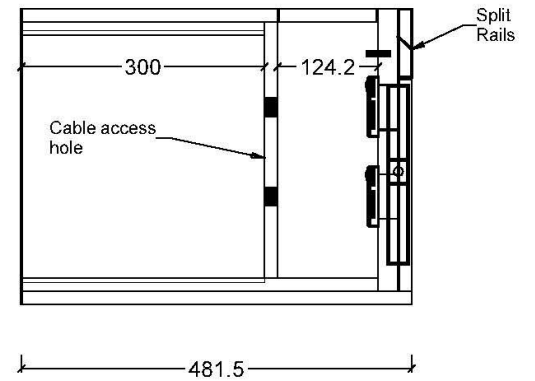
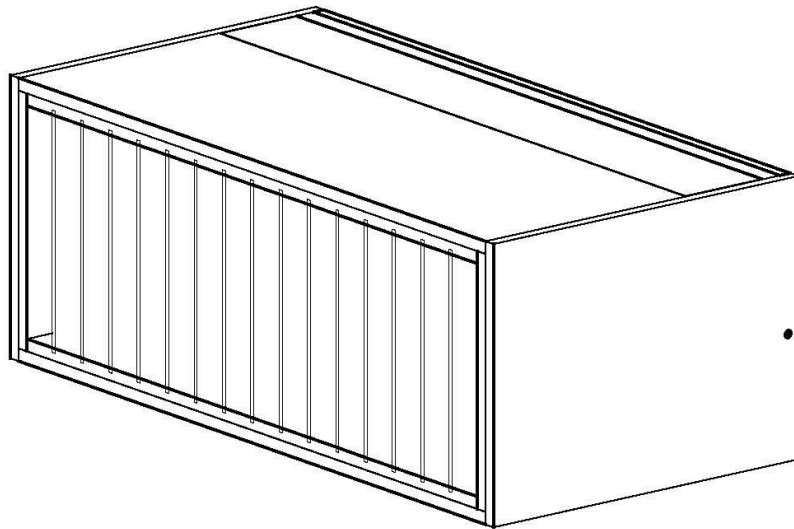
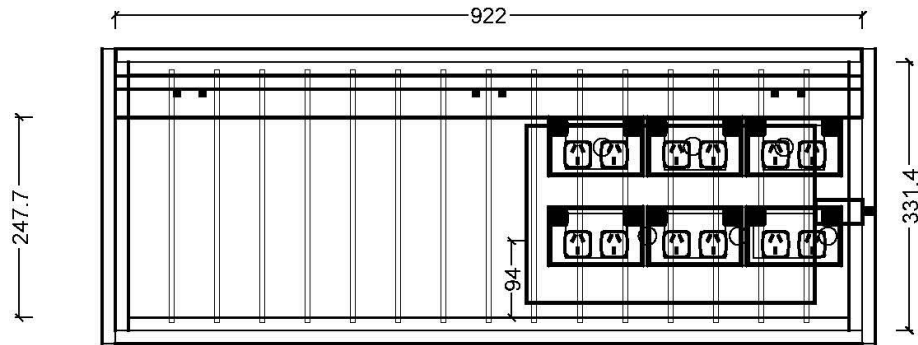


# Straddling the Physical & Digital:



eReaders & eBooks















# Parralibrary



Videos

Discussion

About



All activities ▾



Parralibrary uploaded a video



8:39

## Download ebooks to a Sony ereader

10 months ago • 73 views

This video is a demonstration of how to download ebooks onto a Sony ereader using the Sony Reader for PC software.



Parralibrary uploaded a video



9:21

## Download ebooks to a Kobo ereader

10 months ago • 148 views

This video is a demonstration of how to download ebooks onto a Kobo ereader using Adobe Digital Editions.





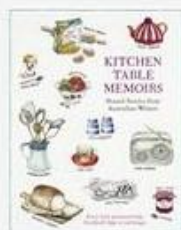
## Welcome to the Parramatta City Library ebook lending facility

On this website you will be able to check out and download eBooks in epub and pdf formats. eBooks can be downloaded to a compatible portable device.

### GETTING STARTED



### Just Added >



### Browse...

- [New Releases](#)
- [Just Added](#)
- [All Titles](#)
- [Series](#)
- [Authors](#)

### Categories

